



## **Flashblend Mixers**

### **Capacity**

Powder incorporation rates up to 15,000 kg/hr.

### **Materials of Construction**

All product contact parts are constructed in 316 stainless steel.

### **Motor Specification**

TEFV as standard, ATEX and other types of motors available on request.

### **Connections**

Tri-clamp fittings as standard.

### **Cleaning**

The Flashblend is designed to be Cleaned In Place (CIP) with Sterilise In Place (SIP) as an optional extra.

### **Electrical**

Integral stainless steel control panel.

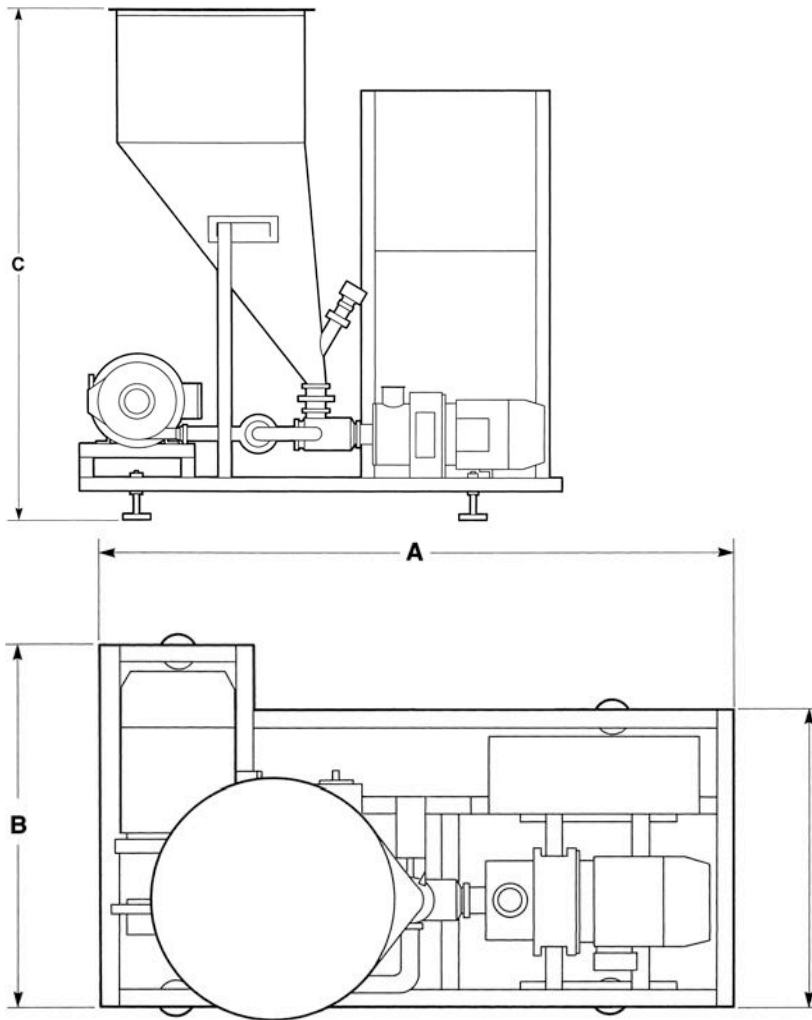
### **Sealing**

Single mechanical shaft seals as standard. Double mechanical shaft seals and specialized arrangements are optional extras.



## Powder/Liquid Mixers Technical Info

Model	A	B	C	Total Power kW	Typical Powder Flow Rate kg/hr	Standard Hopper Volume litres
FLB 20	985	645	1450	5.5	900	10
FLB 30	1520	1000	1330	8.5	3000	100
FLB 45	1800	1025	1850	18.5	7000	300
FLB 60	2000	1025	1900	26	15,000	300



All dimensions are in millimetres. Silverson reserves the right to change dimensions and specifications without notice. Powder flowrates are dependent on product characteristics. The dimensions shown are approximate and certified drawings should be used for installation purposes.